

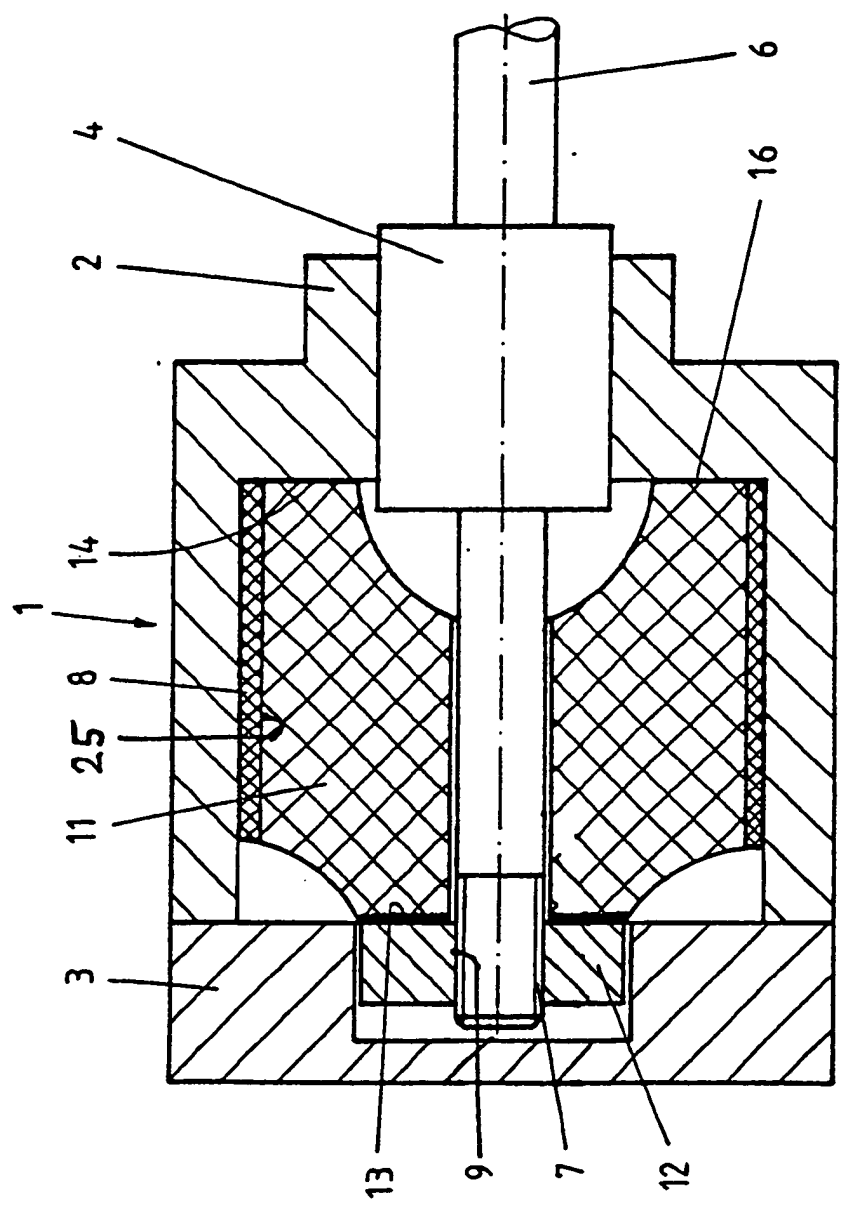
**Variable resistive element with polymer-film force-sensing resistor**

Patent Number: DE19606408  
Publication date: 1997-08-28  
Inventor(s): RIECK ANDREAS (CH)  
Applicant(s): CONTELEC AG (CH)  
Requested Patent:  [DE19606408](#)  
Application Number: DE19961006408 19960221  
Priority Number(s): DE19961006408 19960221  
IPC Classification: H01C10/10  
EC Classification: [H01C10/10](#)  
Equivalents:

**Abstract**

The element has a circular cylindrical housing (2) with a baseplate (3) and a bearing (4) for a rotary shaft (6) having an external thread (7) on to which a pressure disc (12) is screwed. The shaft passes through an elastically deformable body (11) around which the force-sensing resistor (8) has two polymer films with interdigitated electrodes. As the shaft is rotated the axial force exerted by the disc on the body is transmitted through the outer radial surface (25) to the resistor, producing a change in its resistance or voltage. Both the film and the body are insensitive to any moisture seeping into the housing.

.....  
Data supplied from the esp@cenet database - 12



\*

Fig. 1